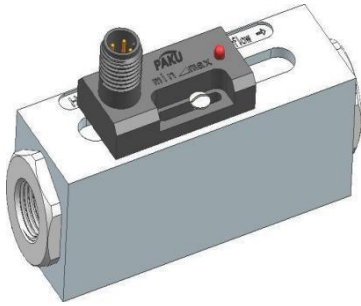


Insertion fitting



principle and characteristics

On-line installation, mechanical flow switch, for liquid or gaseous media. Rugged plastic, aluminum or stainless steel housing is optional. Minimal pressure loss, good repeatability, anti-fouling ability, complete isolation of mechanical part and electronic part, suitable for low flow economy type. With a switch setting scale, users do not need to set in the field. LED display switch status, double switch output for choice.

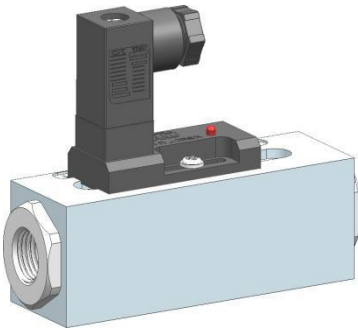
product application

Pneumatic liquid dual purpose, industrial automation/mechanical equipment/air compression industry/refrigeration and air conditioning.

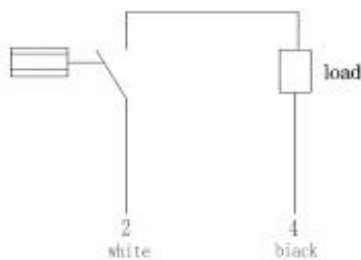
technical specification

- ◆ Setting range: See the parameter table for details
- ◆ Accuracy: $\pm 5\%$ total range
- ◆ HySTERESIS: Depends on switching point, minimum 0.3L/Min
- ◆ Switch setting scale: it is calibrated in water medium, temperature 20° C, horizontal installation state. The installation location, medium and temperature changes may affect the switch value slightly
- ◆ LED display: DC power supply LED display switch state, AC without LED display
- ◆ Wiring mode: M12 connector/Hersman
- ◆ Output: Dry reed switch, capacity 24VDC/250VAC,100mA
- ◆ Pressure: 10bar(plastic), 50bar (aluminum type), 100bar (stainless steel)
- ◆ Average pressure loss: 0.3bar (at 25L/min)
- ◆ Medium temperature: 100° C Max
- ◆ level of protection: IP65
- ◆ SN32... Material: Shell: POM plastic
Piston :POM plastic
Spring: Stainless steel seal: NBR
- ◆ SN32... L Material: Shell: anodized alumina
Piston: POM plastic
Spring: Stainless steel seal: NBR
- ◆ SN32... Material: Shell: stainless steel
Piston: POM plastic
Spring: Stainless steel seal: NBR

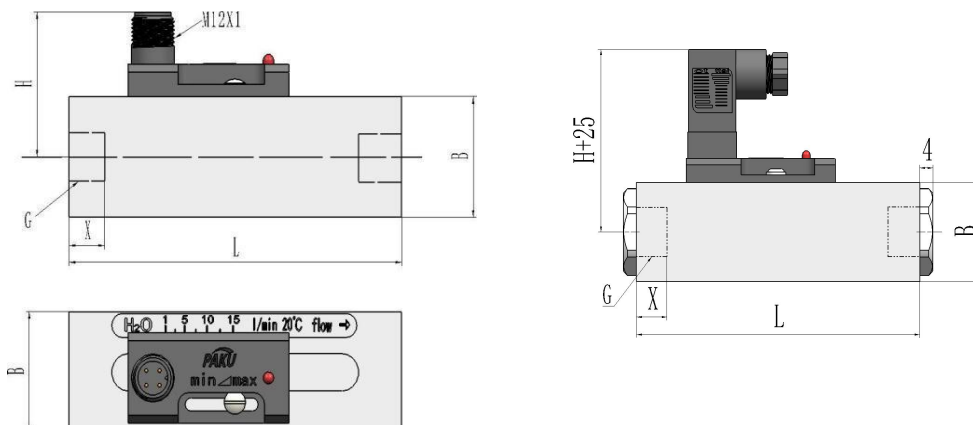
Hersman type



wiring diagram



dimension figure



parameter list

model	pressure bar	maximum flow L/min (water)	adjustable range L/min (water)	G mm	L mm	H mm	B mm	X mm	weight KG
SN32-008...2(3)B	50	40	0.6 (0.1) -8	G1/4	93	36	30	12	0.22(0.53)
SN32-010...2(3)B	50	40	0.6 (0.1) -8	G3/8	93	36	30	15	0.20(0.51)
SN32-015...2(3)B	50	40	0.6 (0.1) -8	G1/2	93	36	30	15	0.18(0.48)
SN32-020...2(3)B	50	40	0.6 (0.1) -8	G3/4	105	38.5	35	15	0.23(0.65)
SN32-025...2(3)B	50	40	0.6 (0.1) -8	G1	105	41	40	15	0.32(0.82)
SN32-008...2(3)C	50	40	1 (0.5) -15	G1/4	93	36	30	12	0.22(0.53)
SN32-010...2(3)C	50	40	1 (0.5) -15	G3/8	93	36	30	15	0.20(0.51)
SN32-015...2(3)C	50	40	1 (0.5) -15	G1/2	93	36	30	15	0.18(0.48)
SN32-020...2(3)C	50	40	1 (0.5) -15	G3/4	105	38.5	35	15	0.23(0.65)
SN32-025...2(3)C	50	40	1 (0.5) -15	G1	105	41	40	15	0.32(0.82)
SN32-015...2(3)D	50	40	2 (0.8) -25	G1/2	93	36	30	15	0.18(0.48)
SN32-020...2(3)D	50	40	2 (0.8) -25	G3/4	105	36	35	15	0.23(0.65)
SN32-025...2(3)D	50	40	2 (0.8) -25	G1	105	36	40	15	0.32(0.82)
SN32-020...2(3)F	50	100	27 (21) -70	G3/4	105	38.5	35	15	0.23(0.65)
SN32-025...2(3)F	50	100	27 (21) -70	G1	105	41	40	15	0.32(0.82)

Selection table

SN32-	008	G	D	D	1	A	A	1	specification
SN32-									SN32 series piston type flow switch
	008								Interface thread G1/4
	010								Interface thread G3/8
	015								Interface thread G1/2
	020								Interface thread G3/4
	025								Interface thread G1
		G							internal thread
			D						DC DC24V ± 20% power supply
			J						AC AC230V ± 15% power supply
				D					No LED indicator
				W					LED indicator (for DC24V only)
					1				plastic casing
					2				Anodized aluminium shell
					3				stainless steel housing
						A			setting range: 0.3--7L/min
						B			setting range: 0.6--8L/min
						C			setting range: 1--15L/min
						D			setting range: 2--25L/min
						E			setting range: 5--40L/min
						F			setting range: 27--70L/min
							A		Connector type (standard with 2 meters of
							B		Hersman type
								1	1 switch point output
								2	2 switching points output

* Customizable thread, H for external thread, G for internal thread

* Please indicate medium flow direction, medium type, pipe diameter and expected set value when ordering. We can complete the setting for you at the factory

* For gaseous media, please indicate pressure (gauge pressure/absolute pressure), temperature and type of media

* The selection table is only available for parameter selection, and the corresponding code is delivered.